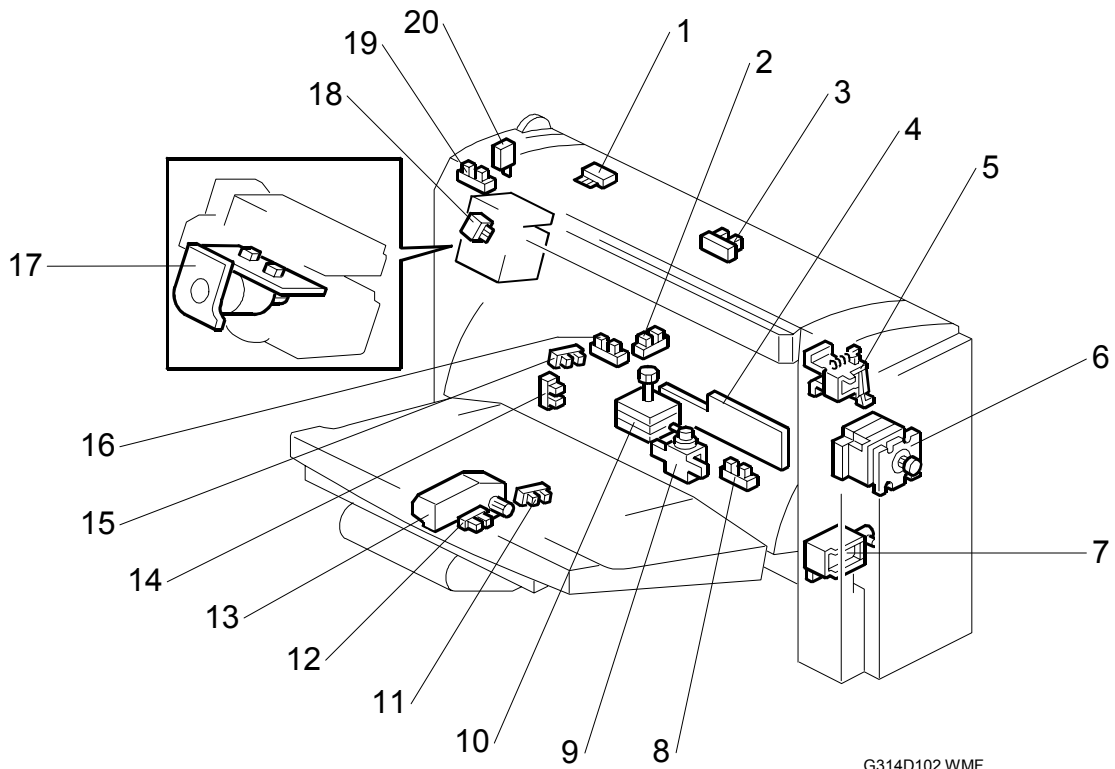


# ELECTRICAL COMPONENT LAYOUT (500-SHEET FINISHER: G314)



G314D102.WMF

Symbol	Name	Index No.	P to P
<b>Motors</b>			
M1	Main	6	I6
M2	Jogger	10	I7
M3	Output Tray	13	B7
M4	Stapler	17	A4
<b>Switches</b>			
SW1	Paper exit unit	20	B3
SW2	Staple unit cover	18	B3
SW3	Right cover	1	B4
<b>Sensors</b>			
S1	Entrance	3	I2
S2	Exit	16	I2
S3	Stack height	14	I4
S4	Lever	15	I5
S5	Jogger home position	2	I2
S6	Top cover	19	I1
S7	Tray upper limit	12	B6
S8	Stack near-limit	11	B6
S9	Base	8	B5
<b>Solenoids</b>			
SOL1	Exit unit gear	7	I4
SOL2	Paddle roller	5	I3
SOL3	Stack height lever	9	I4
<b>PCBs</b>			
PCB1	Main control	4	F7